



US00D829435S

(12) **United States Design Patent**
Viger et al.

(10) **Patent No.:** **US D829,435 S**

(45) **Date of Patent:** **** Oct. 2, 2018**

(54) **BACKPACK**

(71) Applicant: **Peak Design**, San Francisco, CA (US)

(72) Inventors: **Arthur Viger**, San Francisco, CA (US);
Peter Dering, San Francisco, CA (US);
Robb Jankura, San Francisco, CA
(US); **Joseph Cunningham**, San
Francisco, CA (US); **Peter Lockett**, San
Francisco, CA (US)

(73) Assignee: **Peak Design**, San Francisco, CA (US)

(**) Term: **15 Years**

(21) Appl. No.: **29/570,855**

(22) Filed: **Jul. 12, 2016**

(51) **LOC (11) Cl.** **03-01**

(52) **U.S. Cl.**
USPC **D3/217**

(58) **Field of Classification Search**
USPC D3/201, 216, 217, 254, 272, 279, 294
CPC A45F 3/04; A45F 4/02; A45F 2003/045;
A45F 2003/125; A45F 3/02; A45F
2003/127; A45F 3/047; A45F 3/12; A45F
2003/001

See application file for complete search history.

(56) **References Cited**

U.S. PATENT DOCUMENTS

D369,021 S *	4/1996	Kliot	D3/217
D375,403 S *	11/1996	Melk	D3/217
D426,951 S *	6/2000	Rohrbach	D3/216
D485,678 S *	1/2004	Haro	D3/216
7,165,705 B2 *	1/2007	Haro	A45C 13/04 224/627
D642,791 S *	8/2011	Quehl	D3/217
D775,817 S *	1/2017	Ridley	D3/217

D781,049 S *	3/2017	Kemp	D3/216
D784,005 S *	4/2017	Zheng	D3/216
D793,718 S *	8/2017	Dumas	D3/217

* cited by examiner

Primary Examiner — George D. Kirschbaum

Assistant Examiner — Jennifer L. Watkins

(74) *Attorney, Agent, or Firm* — Grumbles Law PLLC;
Brittany Nanzig

(57) **CLAIM**

The ornamental design for a backpack, as shown and described.

DESCRIPTION

FIG. 1 is a front elevational view of a backpack in a closed configuration showing our new design, wherein the bag flap is secured on a second bar.

FIG. 2 is a back elevational view of the backpack in a closed configuration.

FIG. 3 is a right elevational view of the backpack in a closed configuration, wherein the bag flap is secured on a third bar.

FIG. 4 is a left elevational view of the backpack in a closed configuration, wherein the bag flap is secured on a third bar.

FIG. 5 is a top elevational view of the backpack in a closed configuration.

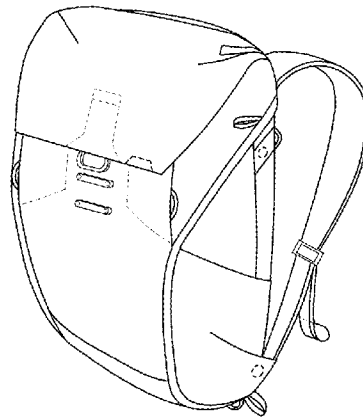
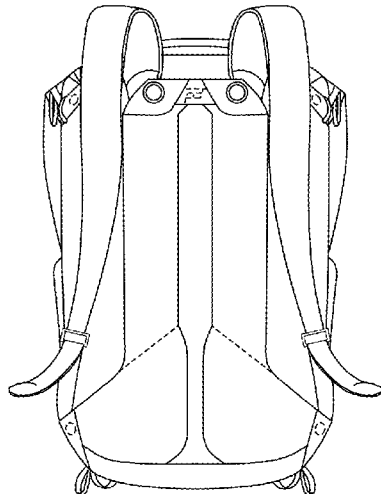
FIG. 6 is a perspective right side view of the backpack in a closed configuration, wherein the bag flap is secured on a third bar.

FIG. 7 is a perspective right side view of the backpack in an open configuration; and,

FIG. 8 is a perspective back view of the backpack in a closed configuration.

The lighter broken lines in the drawings depict stitching. The bolder broken lines in the drawings are for the purpose of illustrating portions of the backpack and form no part of the claimed design.

1 Claim, 3 Drawing Sheets



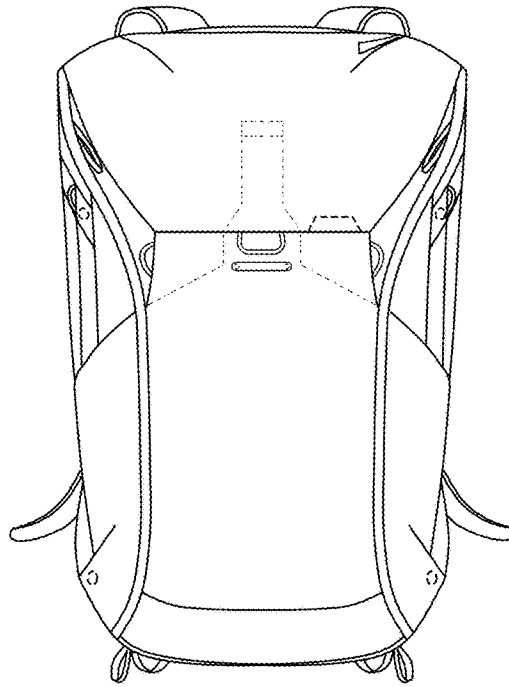


FIG. 1

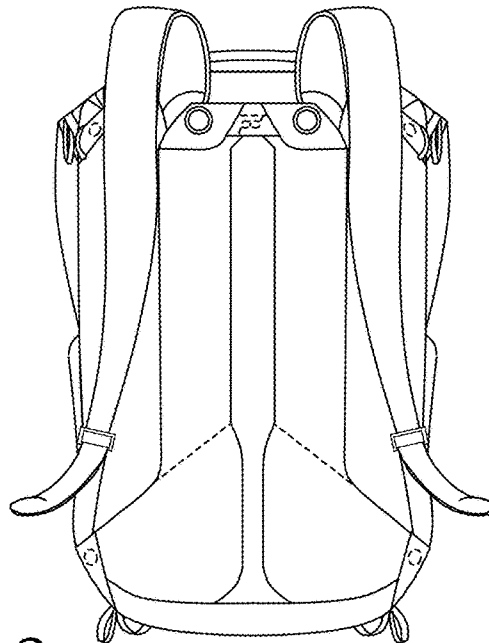


FIG. 2

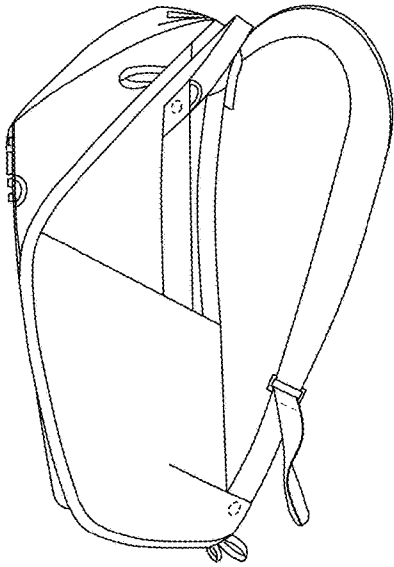


FIG. 3

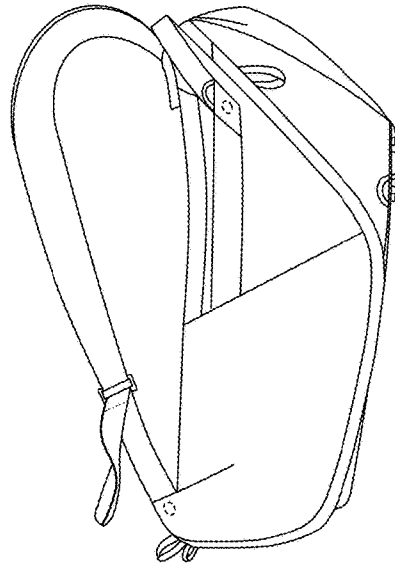


FIG. 4

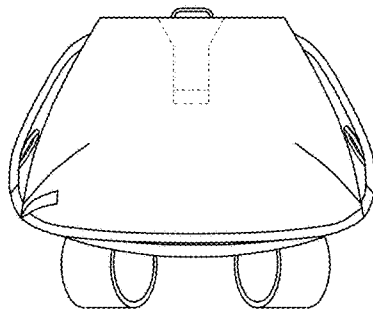


FIG. 5

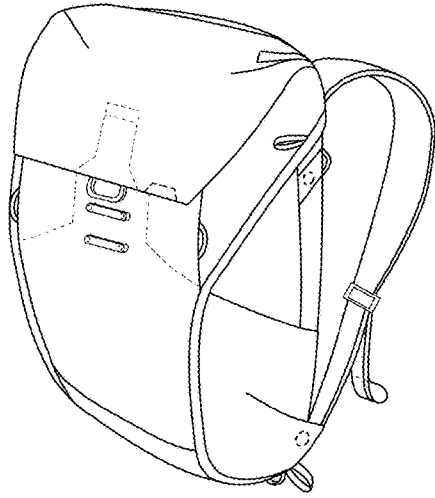


FIG. 6

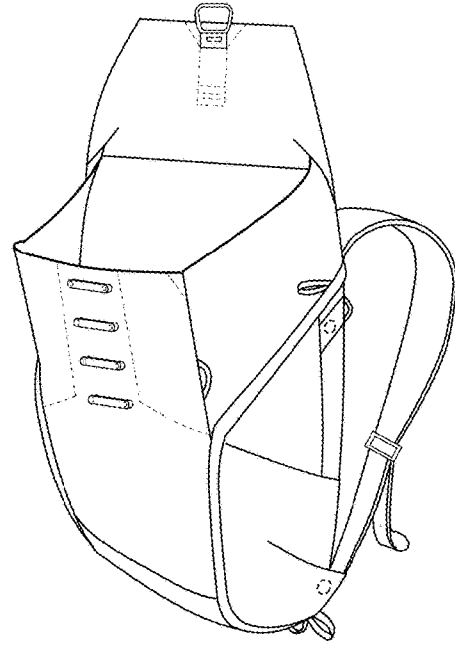


FIG. 7

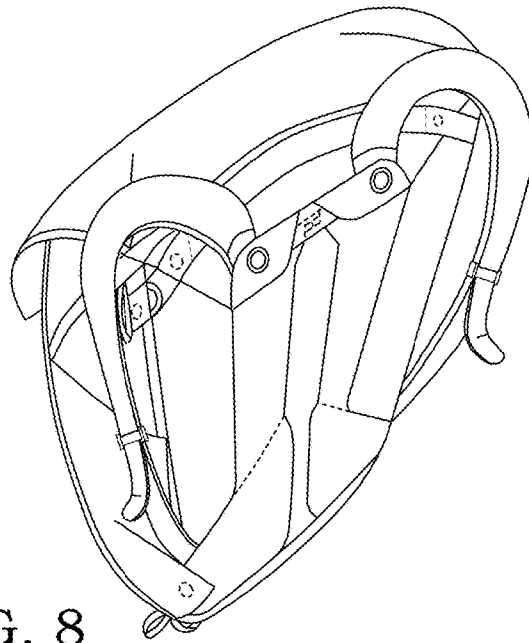


FIG. 8